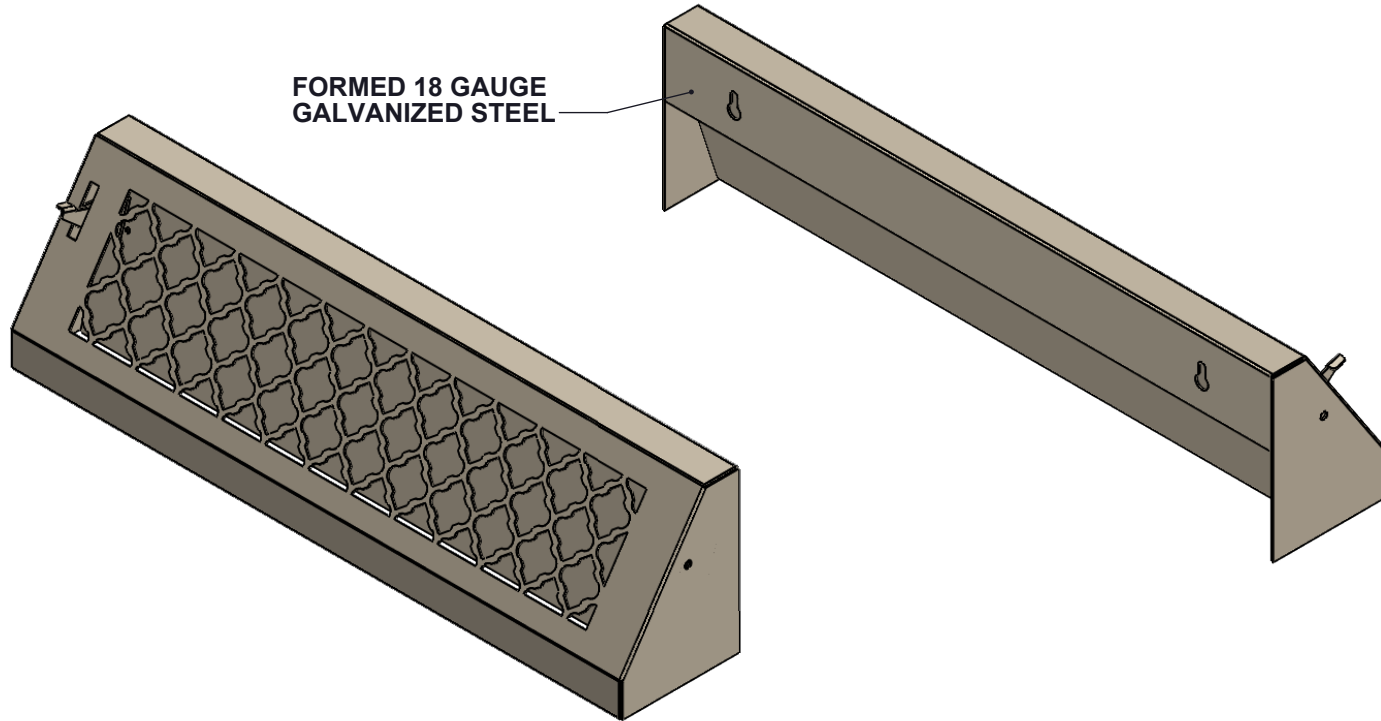


POWDER COATED BODY/FACE

FORMED 18 GAUGE GALVANIZED STEEL



18" SIZE TUSCAN IS REPRESENTED
 (ALSO AVAILABLE IN 15" AND 24" WIDTHS)



MATERIAL: 18GA CRS
 ABOVE DIMENSION ARE IN INCHES
 FINISH: TO BE DETERMINE
 OVERALL OPENESS VARIES WITH PATTERN

OPENNESS VARIES

TOLERANCE: +/-0.0625

DRAWN BY: RTB

REVISED BY:

DATE: 01/07/2025

TYPICAL BRONZE SERIES BASEBOARD

THIS INFORMATION CONTAINED IN THIS DRAWING IS THE SOLE PROPERTY OF STEELCREST CORPORATION. ANY REPRODUCTION IN PART OR AS A WHOLE WITHOUT WRITTEN PERMISSION OF STEELCREST CORPORATION IS PROHIBITED.